

# Technical data sheet

## Product features



### Cooking range gas solid top with electric static oven

<b>Model</b>	<b>SAP Code</b>	00020644
--------------	-----------------	----------



- Device type: Combined unit
- Ignition: Piezo + Eternal Flame
- Type of internal part of the appliance 1 (eg oven): Electric
- Type of internal part of the appliance 2 (eg oven): Static
- Material: AISI 304 top plate and cladding

<b>SAP Code</b>	00020644	<b>Loading</b>	400 V / 3N - 50 Hz
<b>Net Width [mm]</b>	1200	<b>Power gas [kW]</b>	36.100
<b>Net Depth [mm]</b>	730	<b>Type of gas</b>	Natural gas, propane butane
<b>Net Height [mm]</b>	900	<b>Type of internal part of the appliance 1 (eg oven)</b>	Electric
<b>Net Weight [kg]</b>	173.00	<b>Type of internal part of the appliance 2 (eg oven)</b>	Static
<b>Power electric [kW]</b>	8.700	<b>Solid top dimensions [mm x mm]</b>	370 x 545

# Technical data sheet

Technical drawing

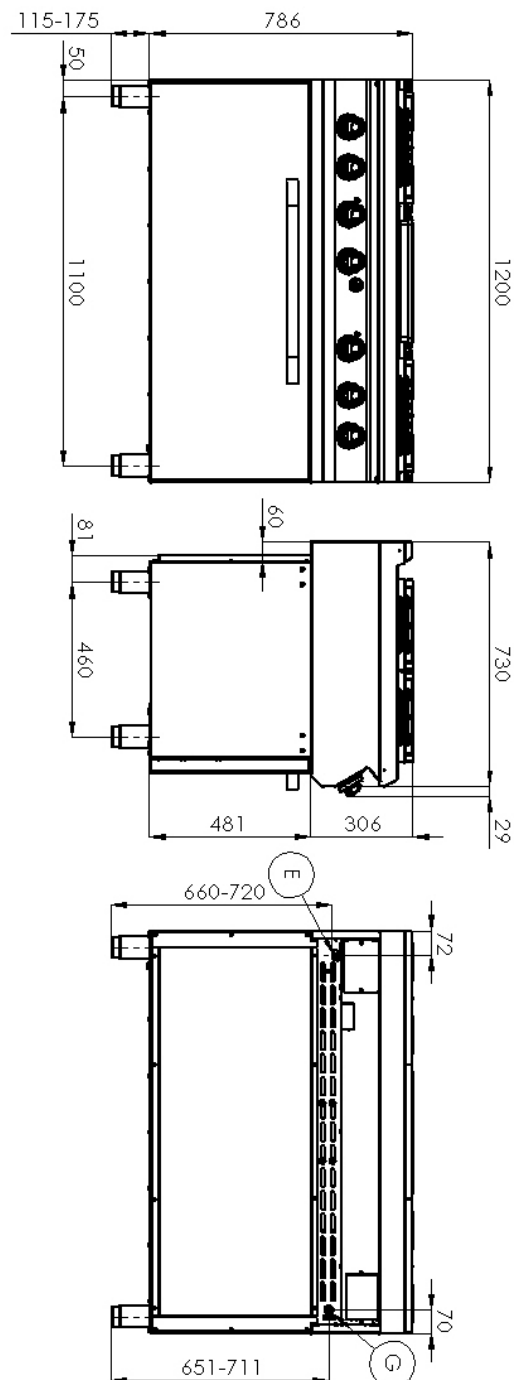


Cooking range gas solid top with electric static oven

Model

SAP Code

00020644



# Technical data sheet

Technical parameters



## Cooking range gas solid top with electric static oven

**Model**

**SAP Code**

00020644

**1. SAP Code:**

00020644

**2. Net Width [mm]:**

1200

**3. Net Depth [mm]:**

730

**4. Net Height [mm]:**

900

**5. Net Weight [kg]:**

173.00

**6. Gross Width [mm]:**

1260

**7. Gross depth [mm]:**

820

**8. Gross Height [mm]:**

1080

**9. Gross Weight [kg]:**

189.00

**10. Device type:**

Combined unit

**11. Construction type of device:**

Stationary

**12. Power electric [kW]:**

8.700

**13. Loading:**

400 V / 3N - 50 Hz

**14. Power gas [kW]:**

36.100

**15. Ignition:**

Piezo + Eternal Flame

**16. Type of gas:**

Natural gas, propane butane

**17. Device color:**

Stainless steel

**18. Material:**

AISI 304 top plate and cladding

**19. Worktop type:**

Molded - comfortable cleaning maintenance

**20. Worktop material:**

AISI 304

**21. Worktop Thickness [mm]:**

1.50

**22. Grid material:**

Cast iron

**23. Service accessibility:**

Trough the frontal panel

**24. Safety thermocouple:**

Yes

**25. Adjustable feet:**

Yes

**26. Number of burners/hot plates:**

5

**27. Type of gas cooking zones:**

Fire protection to install + Classic burners

**28. Burner type:**

Brass, detachable

# Technical data sheet

Technical parameters



## Cooking range gas solid top with electric static oven

**Model**

**SAP Code**

00020644

**29. Oven Type:**

electrical static

**34. Gasket:**

Yes

**30. Oven power electric [kW]:**

8.70

**35. Solid top thickness [mm]:**

30

**31. Oven size:**

GN 3x 1/1

**36. Solid top dimensions [mm x mm]:**

370 x 545

**32. Type of internal part of the appliance 1 (eg oven):**

Electric

**37. Solid top ignition:**

Piezo + Eternal Flame

**33. Type of internal part of the appliance 2 (eg oven):**

Static